

Each 3-pole device is pre-wired with line and load side power wiring for reversing applications.
Each 4-pole device is pre-wired with load side power wiring

Table 18.8: 3-Pole & 4-Pole Mechanically Interlocked Contactors



LC2D09

Maximum Horsepower Ratings						Maximum Current		No. of N.O. Power Poles	Built In Auxiliary Contacts (per contactor)		Catalog Number ▲	\$ Price	
Single Phase		Three Phase				Inductive AC3 Amperes	Resistive AC1 Amperes		N.O.	N.C.		AC Control	DC Control
115 V hp	230 V hp	200 V hp	230 V hp	460 V hp	575 V hp								
0.5	1	2	2	5	7.5	9		3	1	1	LC2D09♦	234.00	317.00
—	—	—	—	—	—	—		4	1	1	LC2DT20	234.00	317.00
1	2	3	3	7.5	10	12		3	1	1	LC2D12♦	317.00	368.00
—	—	—	—	—	—	—		4	1	1	LC2DT25	317.00	368.00
1	3	5	5	10	15	18		3	1	1	LC2D18♦	344.00	400.00
—	—	—	—	—	—	—		4	1	1	LC2DT32	419.00	443.00
2	3	7.5	7.5	15	20	25		3	1	1	LC2D25♦	374.00	436.00
—	—	—	—	—	—	—		4	1	1	LC2DT40	456.00	477.00
2	5	10	10	20	30	32		3	1	1	LC2D32♦	415.00	503.00
3	5	10	10	30	30	40		3	1	1	LC2D40A	565.00	650.00
3	7.5	15	15	40	40	50		3	1	1	LC2D50A	596.00	680.00
5	10	20	20	50	50	65		3	1	1	LC2D65A	778.00	857.00
7.5	15	30	30	60	60	80		3	1	1	★		
—	—	—	—	—	—	—		4	—	—	★		
—	—	30	40	75	100	115		3	1	1	LC2D115 ▼	1165.00	1165.00
—	—	—	—	—	—	—		4	—	—	LC2D115004 ▼	1391.00	1391.00
—	—	40	50	100	125	150		3	1	1	LC2D150 ▼	1598.00	1598.00

- ▲ Use voltage codes from the "Voltage Codes" table below to complete the catalog number. For example: LC2D09G7
- Includes mechanical interlock without electrical contacts. Installer to complete wiring for electronically interlocking contactor operating coils by utilizing a N.C. auxiliary contact integrated in the contactor or optional LADN or LAD8N auxiliary contact block.
- ♦ For LC2D09-LC2D32, electrical interlock can be included by adding a "V" to the end of the catalog number (ex: LC2D09B7V). List price adder: \$5.00.
- ★ For these items, order two non-reversing contactors and one mechanical interlock separately. See page 18-4 and 18-14 for selection.
- ▼ Includes mechanical interlock (Type LA9D11502) with pre-wired electrical contacts for interlocking contactor operating coils.

Table 18.9: Coil Voltage Codes ☆

Contactor	Hz	24 V	48 V	110 V	120 V	125 V	208 V	220 V	240 V	250 V	440 V	480 V	600 V
AC													
D09-D150	50/60	B7	E7	F7	G7	—	LE7	M7	U7	—	—	T7 Δ	X7 Δ
LC1D80-LC1D150	50	B5	E5	F5	—	—	—	M5 Δ	U5	—	—	—	—
	60	B6	E6	F6	G6	—	L6	M6	U6	—	—	T6	X6 □Δ
F115, F150, F185	50 Hz	B5	E5	F5	—	—	—	M5	U5	—	—	—	—
	60 Hz	B6	E6	F6	G6	—	L6	M6	U6	—	—	Q5	SC
F265, F330	40-400 Hz	B7	E7	F7	G7	—	L7	M7	U7	—	—	S7 ▽	X7
F400-F780	40-400 Hz	—	E7	F7	F7	—	L7	M7	U7	—	—	N7	X7 ◊
DC													
D09-D32, DT20-D258 Low Consumption	—	BL	EL	FL	—	—	—	ML	—	UL	—	—	—
D09-D150	—	BD	ED	FD	—	GD	—	MD	—	UD	RD	—	—
F115-F330	—	BD	ED	FD	—	GD	—	MD	—	UD	RD	—	—
F400-F780	—	—	ED	FD	—	GD	—	MD	—	UD	RD	—	—

- Δ Not available for LC1D80 - LC1D150.
- Not available for LC1D115 or LC1D150.
- ◊ Not available for LC1F780. The 600 V coils for the LC1F400 - LC1F630 do not include an auxiliary contact for holding circuits.
- ☆ For additional voltage codes refer to the IEC Contactor and Starter Catalog 8502CT9901.
- ▽ For use with F265-F330 only.

Table 18.10: Coil Voltage Codes for AC and DC Coil Voltages for F800 (includes built-in surge suppressor)

Voits AC/DC	24	48	110	120	127	208	220	240	277	380	415	440	480	575	600	660
50/60 Hz	—	—	FW	FW	FW	—	MW	MW	—	QW	QW	QW	—	—	—	—

TeSys D contactor accessories pages 18-8 to 18-11
 TeSys D overload relay accessories page 18-16
 TeSys D replacement coils pages 18-17 to 18-19
 Dimensions pages 18-40 to 18-46

18 IEC CONTACTORS AND STARTERS



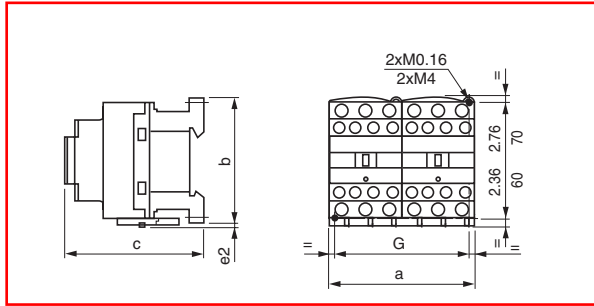
E164862
CCN NLDX



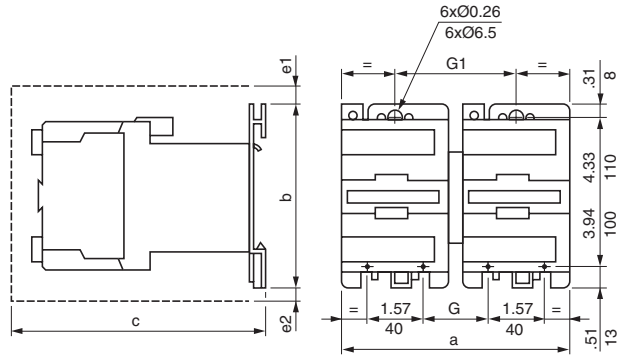
LR43364
Class 3211 04



LC2D09 to D32
LC2DT20 to DT60
2 x LC1DT20 to DT60



2 x LP1D40, D65, D80, D95



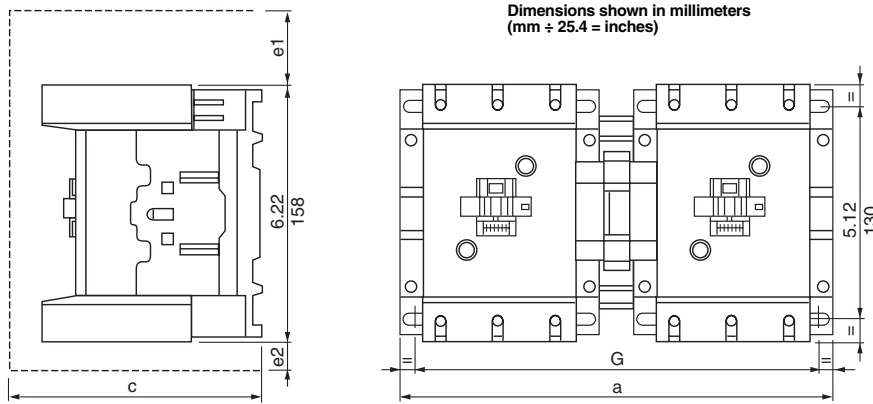
LC2 or 2 x LC1	a	b	c	G
	IN (mm)	IN (mm)	IN (mm)	IN (mm)
DT20 and DT25	3.54 (90)	3.34 (85)	3.54 (90)	3.14 (80)
DT32 to DT60	3.54 (90)	3.58 (91)	3.85 (98)	3.14 (80)

c, e2: includes cabling.

LC2 or 2 x LC1	a	b	c	e1	e2	G	G1
	IN (mm)	IN (mm)	IN (mm)	IN (mm)	IN (mm)	IN (mm)	IN (mm)
D40 to D65	7.16 (182)	5.0 (127)	7.4 (190)	1.19 (5)	0.43 (11)	2.2 (57)	3.8 (97)
D80 and D95	8.14 (207)	5.0 (127)	8.4 (215)	0.51 (13)	0.78 (20)	3.7 (96)	4.3 (111)

c, e1 and e2: includes cabling.

LC2D115 and D150
2 x LC1D115 and D150
Panel mounted with 1/4" screw



LC2 or 2 x LC1 (3-pole)	a	c	e1	e2	G
D115, D150	266	148	56	18	242/256
LC2 or 2 x LC1 (4-pole)	a	c	e1	e2	G
D115	334	148	—	60	310/324

c, e1 and e2 includes cabling

NOTE: For dimensions of TeSys F reversing contactors, please refer to Catalog 8502CT9901.