

# Definite Purpose Contactors Types DP, DPA and SYD — Class 8910

- Compact Design
- Industry Standard Mounting
- Double Break Contacts
- Low Coil VA
- Straight-Through Wiring
- Low Cost

Definite purpose contactors are ideal for heating, air conditioning, refrigeration, data processing, and food service equipment. New compact 1 and 2 pole contactors are available along with full size 2, 3, and 4-pole devices.

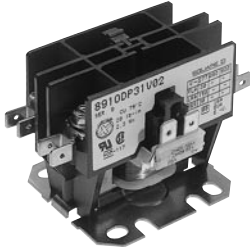
They feature quick connect terminals and binder head screws for easy wiring. Box lugs are standard on 40 ampere contactors and larger. An exclusive DIN track mounting option may reduce installation costs. Coils can be changed on the Type DPA contactors quickly without a tool. Auxiliary contact modules snap on either side of the Type DPA contactors.

### Compact 1-Pole Contactors – 600 Vac Maximum

| Full Load Amperes | Locked Rotor Amperes |       |       | Resistive Load Amperes | Horsepower Ratings |          | N.O. Poles | Type  |
|-------------------|----------------------|-------|-------|------------------------|--------------------|----------|------------|-------|
|                   | 277 V                | 460 V | 575 V |                        | 115 V 1Ø           | 230 V 1Ø |            |       |
| 20                | 100                  | 100   | 80    | 25                     | 1                  | 2        | 1          | DP11* |
| 25                | 125                  | 125   | 100   | 30                     | 2                  | 3        | 1          | DP21* |
| 30                | 150                  | 150   | 120   | 40                     | 2                  | 3        | 1          | DP31* |
| 40                | 240                  | 200   | 160   | 50†                    | 2                  | 5        | 1          | DP41* |

† 50 A Res. limited to 277 V. All others rated 40 A Res. (above 277 V).

\* Voltage code must be specified to order this product. Refer to standard voltage codes listed below.



Type DP31V02  
1-Pole

### Compact 2-Pole Contactors – 600 Vac Maximum ■

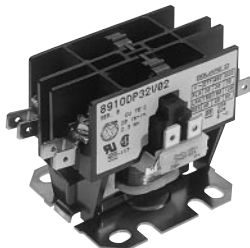
| Full Load Amperes | Locked Rotor Amperes |       |       | Resistive Load Amperes | Horsepower Ratings |          | N.O. Poles | Type  |
|-------------------|----------------------|-------|-------|------------------------|--------------------|----------|------------|-------|
|                   | 277 V                | 460 V | 575 V |                        | 115 V 1Ø           | 230 V 1Ø |            |       |
| 20                | 100                  | 100   | 80    | 30                     | 1                  | 2        | 2          | DP12* |
| 25                | 125                  | 125   | 100   | 35                     | 2                  | 3        | 2          | DP22* |
| 30                | 150                  | 150   | 120   | 40                     | 2                  | 5        | 2          | DP32* |
| 40                | 240                  | 200   | 160   | 50                     | 2                  | 5        | 2          | DP42* |

■ Above 240 volts, all lines must be switched.

### 2, 3, and 4-Pole Contactors – 600 Vac Maximum ■

| Full Load Amperes | Locked Rotor Amperes |       |       | Resistance Load Amperes | Horsepower Ratings |          |          |              | N.O. Poles  | Type                       |
|-------------------|----------------------|-------|-------|-------------------------|--------------------|----------|----------|--------------|-------------|----------------------------|
|                   | 230 V                | 460 V | 575 V |                         | 115 V 1Ø           | 230 V 1Ø | 230 V 3Ø | 460/575 V 3Ø |             |                            |
| 20                | 120                  | 100   | 80    | 25                      | 1                  | 2        | 5        | 7½           | 2<br>3<br>4 | DPA12*<br>DPA13*<br>DPA14* |
| 25                | 150                  | 125   | 100   | 35                      | 2                  | 3        | 7½       | 10           | 2<br>3<br>4 | DPA22*<br>DPA23*<br>DPA24* |
| 30                | 180                  | 150   | 120   | 40                      | 2                  | 5        | 10       | 15           | 2<br>3<br>4 | DPA32*<br>DPA33*<br>DPA34* |
| 40                | 240                  | 200   | 160   | 50                      | 3                  | 7½       | 10       | 20           | 2<br>3<br>4 | DPA42*<br>DPA43*<br>DPA44* |
| 50                | 300                  | 250   | 200   | 62                      | 3                  | 10       | 15       | 30           | 2<br>3      | DPA52*<br>DPA53*           |
| 60                | 360                  | 300   | 240   | 75                      | 5                  | 10       | 25       | 30           | 2<br>3      | DPA62*<br>DPA63*           |
| 75                | 450                  | 375   | 300   | 94                      | 5                  | 15       | 25       | 40           | 2<br>3      | DPA72*<br>DPA73*           |
| 90                | 540                  | 450   | 360   | 120                     | 7½                 | 20       | 30       | 50           | 2<br>3      | DPA92*<br>DPA93*           |
| 120               | 720                  | 600   | 480   | 120                     | 7½                 | 20       | 30       | 50           | 2<br>3      | DPA122*<br>DPA123*         |
| 132               | 800                  | 800   | 520   | 132                     | ....               | ....     | ....     | ....         | 3           | SYD138*                    |
| 220               | 1500                 | 1500  | 1200  | 220                     | ....               | ....     | ....     | ....         | 3           | SYD230*                    |
| 352               | 2200                 | 2200  | 1800  | 352                     | ....               | ....     | ....     | ....         | 3           | SYD368*                    |

■ Above 240 volts, all lines must be switched.



Type DP32V02  
2-Pole



Type DPA33V02  
3-Pole

### Coil Voltage Codes

| Voltage |       | Code Type DP, DPA | Code Type DPA122, DPA123, SYD |
|---------|-------|-------------------|-------------------------------|
| 60 Hz   | 50 Hz |                   |                               |
| 24      | 24    | V14               | V12▲                          |
| 24      | ...   | ...               | V01▼                          |
| 120     | 110   | V02               | V02                           |
| 208     | ...   | ...               | V08                           |
| 208-240 | 220   | V09               | ...                           |
| 230-240 | 220   | ...               | V03                           |
| 277     | ...   | V04               | V04                           |
| 480     | 440   | V06               | V06                           |
| 600     | 550   | V07♦              | V07                           |

▲ 24 V 50 Hz only.

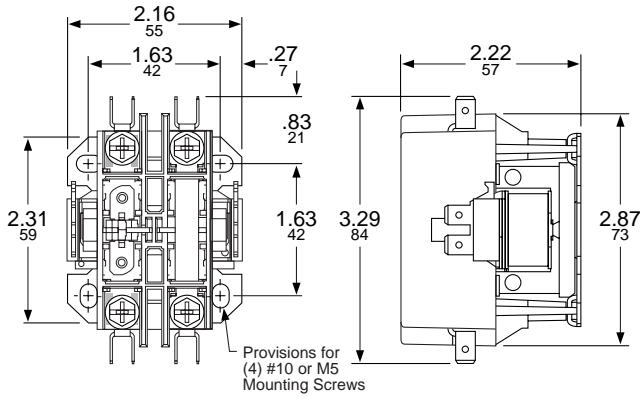
▼ Available on Types DPA122, DPA123, and SYD138 only.

♦ Not available for Type DP one- and two-pole devices.

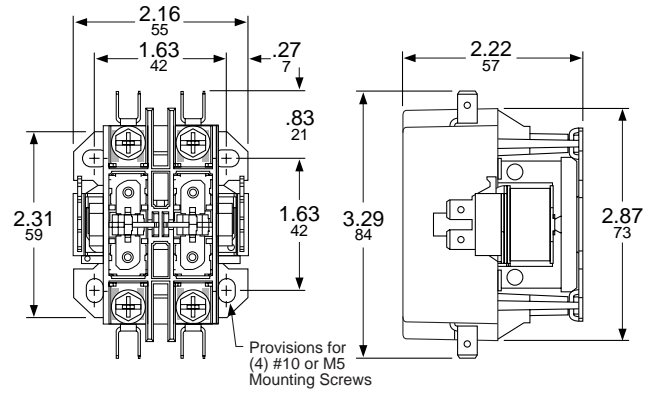


# Definite Purpose Contactors

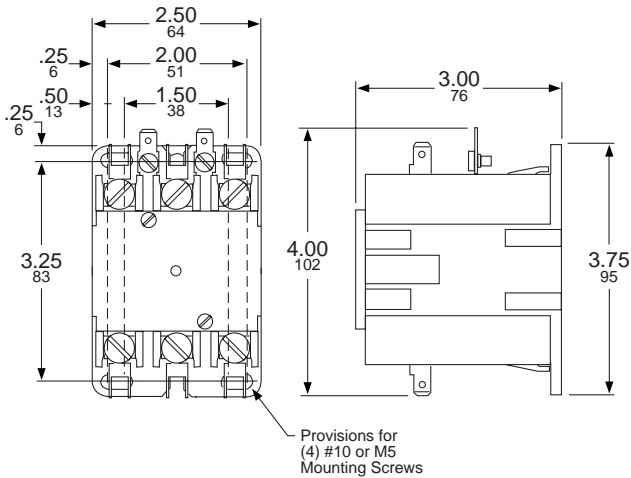
## Class 8910 — Types DP, DPA and SYD Approximate Dimensions



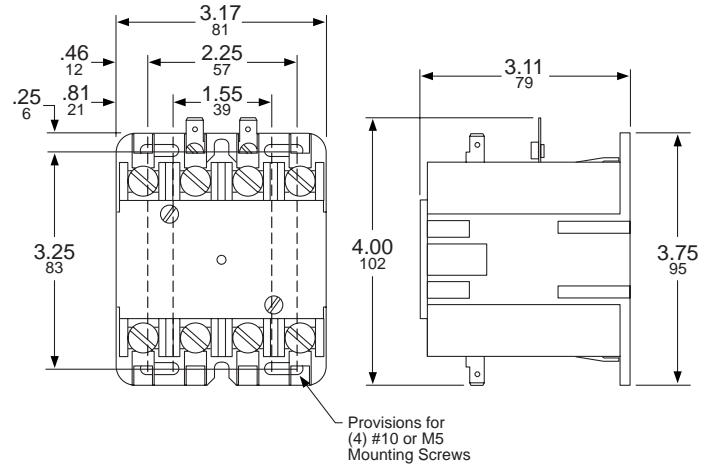
**Type DP — 1-Pole**  
20 thru 30 Full Load Amps



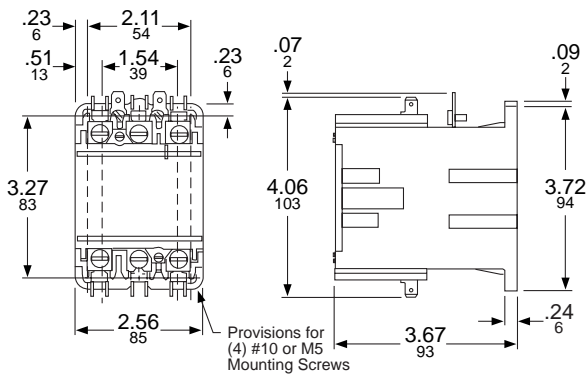
**Type DP — 2-Pole**  
20 thru 40 Full Load Amps



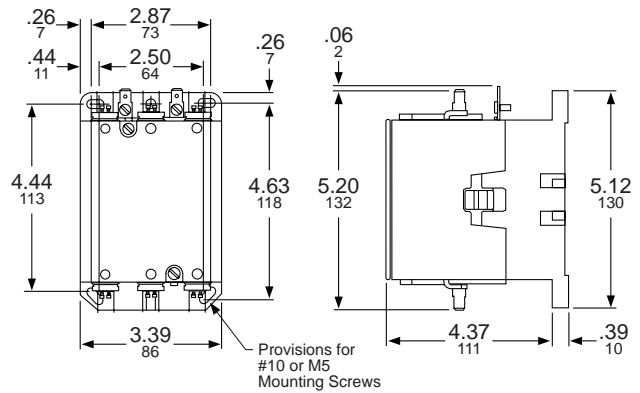
**Type DPA — 2 and 3-Pole**  
20 thru 40 Full Load Amps



**Type DPA — 4-Pole**  
20 thru 40 Full Load Amps



**Type DPA — 2 and 3-Pole**  
50 and 60 Full Load Amps



**Type DPA — 2 and 3-Pole**  
75 and 90 Full Load Amps

