



Selection and ordering data

- * AC/DC Coils with built in surge suppressor
- * Coil Types (40Hz to 60Hz, DC)
- * Conventional Coil
- * Solid-state operated coil with wider range and 24 V DC PLC input
- * Solid-state operated coil with Remaining Lifetime Indication (RLT)
- * Solid-state operated coil with RLT and AS-Interface communication
- * Box terminals ordered separately



3RT10 64-6A-6 3RT10 56-6P-5 3RT10 56-6Q-5

Frame size	Amp ratings		Single phase HP ratings		Three phase HP ratings				Auxiliary contacts		Screw terminals on coil and aux contacts	Spring loaded terminals on coil and aux contacts	Weight approx. kg
	AC3	AC1	115 V	230 V	200 V	230 V	460 V	575 V	NO	NC	Order No.	Order No.	
S6	115	160	-	-	40	50	100	125	2	2	3RT10 54-6□●●6	3RT10 54-2□●●6	3.5
	150	185	-	-	50	60	125	150	2	2	3RT10 55-6□●●6	3RT10 55-2□●●6	
	185	215	-	-	60	75	150	200	2	2	3RT10 56-6□●●6	3RT10 56-2□●●6	
S10	225	275	-	-	60	75	150	200	2	2	3RT10 64-6□●●6	3RT10 64-2□●●6	6.7
	265	330	-	-	75	100	200	250	2	2	3RT10 65-6□●●6	3RT10 65-2□●●6	
	300	330	-	-	100	125	250	300	2	2	3RT10 66-6□●●6	3RT10 66-2□●●6	
S12	400	430	-	-	125	150	300	400	2	2	3RT10 75-6□●●6	3RT10 75-2□●●6	10.5
	500	610	-	-	150	200	400	500	2	2	3RT10 76-6□●●6	3RT10 76-2□●●6	

Conventional Coil = **A** **A**
 Solid State Operated Coil = **N** **N**

Frame size	Amp ratings		Single phase HP ratings		Three phase HP ratings				Auxiliary contacts		Screw terminals on coil and aux contacts	Spring loaded terminals on coil and aux contacts	Weight approx. kg
	AC3	AC1	115 V	230 V	200 V	230 V	460 V	575 V	NO	NC	Order No.	Order No.	
S6	115	160	-	-	40	50	100	125	2	2	3RT10 54-6□●●5	3RT10 54-2□●●5	4
	150	185	-	-	50	60	125	150	2	2	3RT10 55-6□●●5	3RT10 55-2□●●5	
	185	215	-	-	60	75	150	200	2	2	3RT10 56-6□●●5	3RT10 56-2□●●5	
S10	225	275	-	-	60	75	150	200	2	2	3RT10 64-6□●●5	3RT10 64-6□●●5	7
	265	330	-	-	75	100	200	250	2	2	3RT10 65-6□●●5	3RT10 65-6□●●5	
	300	330	-	-	100	125	250	300	2	2	3RT10 66-6□●●5	3RT10 66-6□●●5	
S12	400	430	-	-	125	150	300	400	2	2	3RT10 75-6□●●5	3RT10 75-6□●●5	10.5
	500	610	-	-	150	200	400	500	2	2	3RT10 76-6□●●5	3RT10 76-6□●●5	

Solid State Operated Coil with Remaining Lifetime Indication = **P** **P**
 Solid State Operated Coil with AS-Interface and Remaining Lifetime Indication = **Q** **Q**

NEMA Labeled Contactors with Conventional Coil

NEMA size	Amp ratings	Single phase		Three phase HP ratings				Auxiliary		Screw terminals	Weight approx. AC/DC
		115 V	230 V	200 V	230 V	460 V	575 V	NO	NC	Order No.	
4	135	-	-	40	50	100	100	2	2	3RT10 56-6A●●6-0UA0	3.1/3.1

For further coil voltages, see page 2/23.
 For auxiliaries and accessories, see page 2/35-50.
 For spare parts, see page 2/56-58.
 For technical data, see page 2/86-116.
 For description, see page 2/67-69.
 For int. circuit diagrams, see page 2/156.
 For dimension drawings, see page 2/176-177.

Conventional Coil Selection for 3RT105 through 3RT107, □ = A							
Coil Code	B3	D3	F3	P3	U3	R3	T3
AC 40-60 Hz, DC	23-26 V	42-48 V	110-127 V	220-240 V	240-277 V	440-480 V	575-600 V

Solid State Operated Coil Selection for 3RT105 through 3RT107, □ = N, P, Q			
Coil Code	B3	F3	P3
AC 40-60 Hz, DC	21-27.3 V	96-127 V	200-277 V



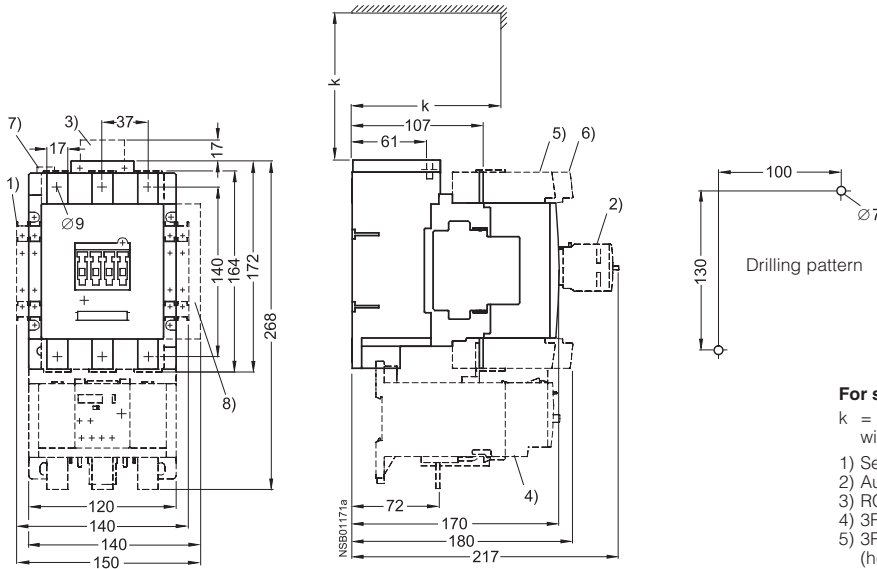
3RT10 and 3RT14 contactors, 3-pole

Dimension drawings

3RT10 5, 3RT14 5 contactors Size S6 and NEMA Size 4

with auxiliary switch block, laterally mountable and mountable on the front,
mounted overload relay and box terminals,
laterally mounted electronics module with remaining lifetime indication

Clearance from earthed parts with
directly mounted overload relay:
lateral: 10 mm
front: 20 mm



For size S6:

k = 120 mm (minimum clearance for removing the withdrawable coil)

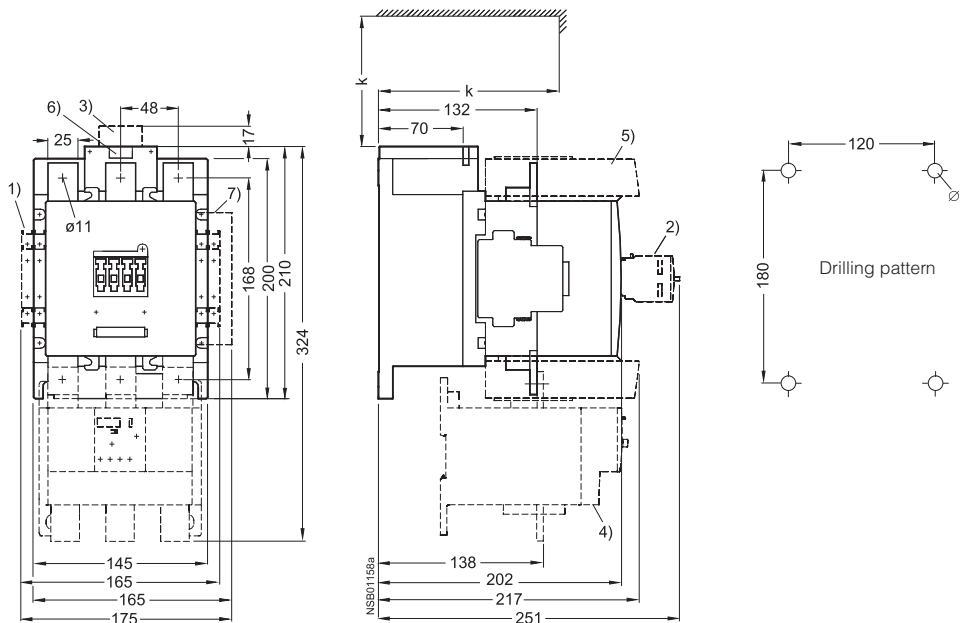
- 1) Second auxiliary switch block, laterally mountable
- 2) Auxiliary switch block, mountable on the front
- 3) RC element
- 4) 3RB10 overload relay, mounted
- 5) 3RT19 55-4G box terminal block (hexagon socket 4 mm)
- 6) 3RT19 56-4G box terminal block (hexagon socket 4 mm)
- 7) PLC connection DC 24 V and changeover switch (with 3RT1...-N)
- 8) Electronics module with remaining lifetime indication (auxiliary switch block not mountable on right-hand side)



Dimension drawings

**3RT10 6, 3RT14 6 contactors
Size S10**

with auxiliary switch block, laterally mountable and mountable on the front,
mounted overload relay and box terminals,
laterally mounted electronics module with remaining lifetime indication

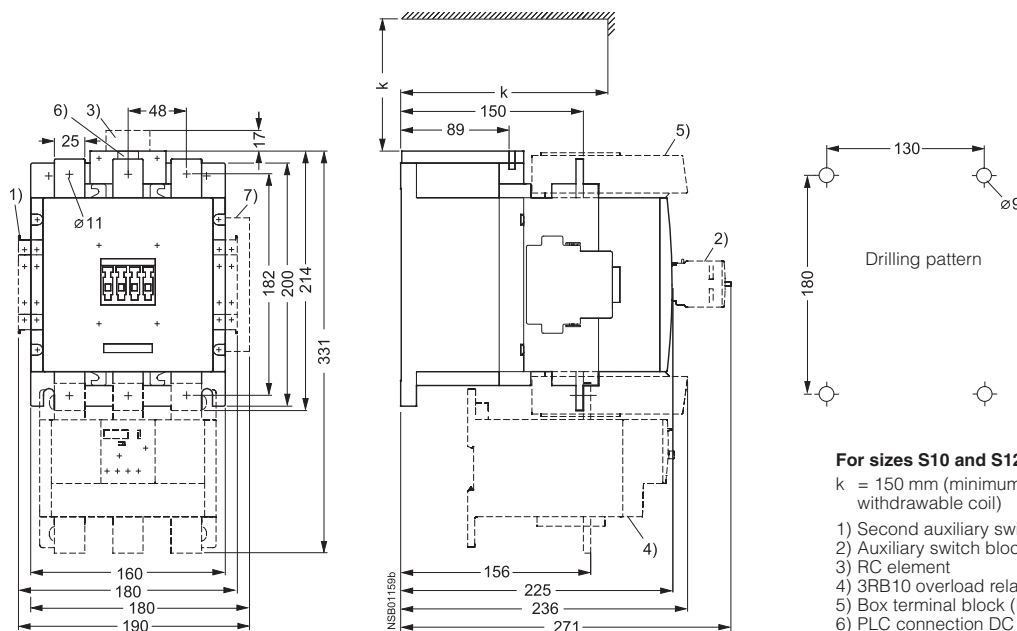


**3RT10 7, 3RT14 7 contactors
Size S12**

with auxiliary switch block, laterally mountable and mountable on the front,
mounted overload relay and box terminals,
laterally mounted electronics module with remaining lifetime indication

For sizes S10 and S12:

Clearance from earthed parts with directly mounted
overload relay:
lateral: 10 mm
front: 20 mm



For sizes S10 and S12:

k = 150 mm (minimum clearance for removing the
withdrawable coil)

- 1) Second auxiliary switch block, laterally mountable
- 2) Auxiliary switch block, mountable on the front
- 3) RC element
- 4) 3RB10 overload relay, mounted
- 5) Box terminal block (hexagon socket 6 mm)
- 6) PLC connection DC 24 V and changeover switch (with 3RT1...-N)
- 7) Electronics module with remaining lifetime indication (auxiliary switch block not mountable on right-hand side)