



Description	Ordering Information
<p>The 3RV102, 3RV103, and 3RV104 MSP's can be used as Type E self-protected manual combination starters per UL508 (3RV102 and 3RV104 require additional terminal adapters) or as components in Group Installation per NEC 430-53(C) to turn motors on and off. Each device has built-in heater elements that provide overload protection and magnetic trip elements to protect the motor. When the 3RV is used as a component in Group Installation, multiple MSP's can be installed below one circuit breaker to protect its own motor. A contactor can be mounted to the MSP to provide a remotely operated starter.</p>	<ul style="list-style-type: none"> ▶ ON/OFF rotary handle with lockout and visible trip indication. ▶ Adjustment dial for setting to motor FLA. ▶ Class 10 overload trip characteristics. ▶ Short circuit trip at 12 times the maximum setting of the FLA adjustment dial. ▶ Short circuit current rating: ▶ Ambient compensated up to 140° F (applies to side by side mounting). ▶ Phase loss sensitivity. ▶ Test trip function. ▶ Accessories see pages 1/9–1/19. ▶ General Information see pages 1/31–1/40. ▶ Technical Data see pages 1/20–1/30. ▶ Dimensions see pages 1/35.

Note: Select MSP by motor Full Load Amperes. Horsepower ratings are for reference only.

Illustration	FLA Adjustment Range	Single-Phase HP Ratings		Three-Phase HP Ratings ^①				Instantaneous short-circuit release $I >$ A	UL Short-circuit breaking capacity @ 480 VAC I_{CU} kA	Screw connection	
		115V	230V	200V	230V	460V	575V			Catalog No	List Price \$
	3RV102 Frame Size S0^②										
	0.11–0.16	—	—	—	—	—	—	2.1	65	3RV1021-0AA10	
	0.14–0.2	—	—	—	—	—	—	2.6	65	3RV1021-0BA10	
	0.18–0.25	—	—	—	—	—	—	3.3	65	3RV1021-0CA10	
	0.22–0.32	—	—	—	—	—	—	4.2	65	3RV1021-0DA10	
	0.28–0.4	—	—	—	—	—	—	5.2	65	3RV1021-0EA10	
	0.35–0.5	—	—	—	—	—	—	6.5	65	3RV1021-0FA10	
	0.45–0.63	—	—	—	—	—	—	8.2	65	3RV1021-0GA10	
	0.55–0.8	—	—	—	—	—	1/2	10	65	3RV1021-0HA10	
	0.7–1	—	—	—	—	1/2	1/2	13	65	3RV1021-0JA10	
	0.9–1.25	—	—	—	—	3/4	3/4	16	65	3RV1021-0KA10	
	1.1–1.6	—	1/10	—	—	3/4	1	21	65	3RV1021-1AA10	
	1.4–2	—	1/6	—	—	1	1 1/2	26	65	3RV1021-1BA10	
	1.8–2.5	—	1/6	1/2	1/2	1 1/2	1 1/2	33	65	3RV1021-1CA10	
	2.2–3.2	1/10	1/4	3/4	3/4	1 1/2	2	42	65	3RV1021-1DA10	
2.8–4	1/6	1/2	3/4	1	2	3	52	65	3RV1021-1EA10		
	3RV103 Frame Size S2^②										
	3.5–5	1/6	1/2	1	1	3	3	65	65	3RV1021-1FA10	
	4.5–6.3	1/4	3/4	1 1/2	1 1/2	5	5	82	65	3RV1021-1GA10	
	5.5–8	1/3	1	2	2	5	5	104	65	3RV1021-1HA10	
	7–10	1/2	1 1/2	3	3	7 1/2	10	130	65	3RV1021-1JA10	
	9–12.5	1/2	2	3	3	7 1/2	10	163	65	3RV1021-1KA10	
	11–16	1	3	5	5	10	15 ^③	208	65	3RV1021-4AA10	
	14–20	1 1/2	3	5	7 1/2	15	20	260	65	3RV1021-4BA10	
	17–22	2	3	7 1/2	7 1/2	15	20	286	65	3RV1021-4CA10	
	20–25	2	5	7 1/2	7 1/2	15	20	325	65	3RV1021-4DA10	
	3RV104 Frame Size S3^②										
	11–16	1	3	5	5	10	15	208	65	3RV1031-4AA10	
	14–20	1 1/2	3	5	7 1/2	15	20	260	65	3RV1031-4BA10	
	18–25	2	5	7 1/2	10	20	25	325	65	3RV1031-4DA10	
	22–32	3	5	10	10	25	30	416	65	3RV1031-4EA10	
	28–40	3	7 1/2	15	15	30	40	520	65	3RV1031-4FA10	
36–45	5	7 1/2	15	15	30	40	585	65	3RV1031-4GA10		
40–50	5	10	15	20	40	50	650	65	3RV1031-4HA10		
	3RV104 Frame Size S3^②										
	28–40	3	7 1/2	15	15	30	40	520	65	3RV1041-4FA10	
	36–50	5	10	15	20	40	50	650	65	3RV1041-4HA10	
	45–63	5	15	20	25	50	60	819	65	3RV1041-4JA10	
	57–75	7 1/2	15	25	25	60	75	975	65	3RV1041-4KA10	
70–90	10	20	30	30	75	100 ^③	1170	65	3RV1041-4LA10		
80–100	10	25	40	40	75	100	1235	65	3RV1041-4MA10		

① Select MSP by motor full load amps. Horse power ratings for reference only.
 ② Size S0, S2, S3 are listed as type E combination motor controller. Required terminals see page 1/9.

③ Shaded ratings apply for group installation only. These ratings do not apply as UL listed manual combination starters.

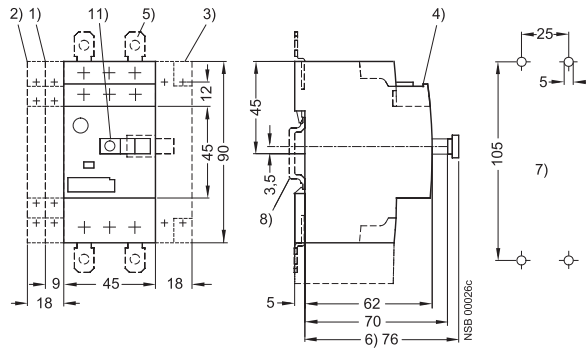
Refer to pages 1/20 to 1/22 when using an MSP in a Manual Motor Starter or a Manual Self-Protected Combination Motor Controller.



Dimension drawings

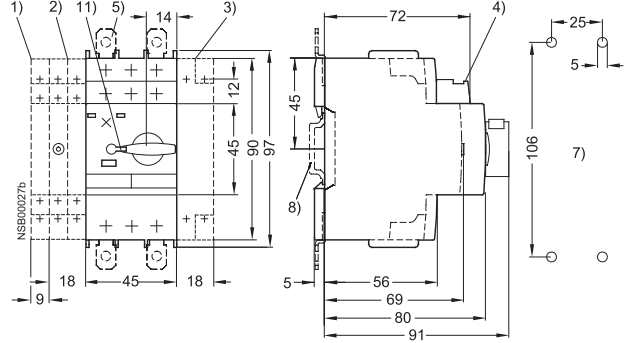
3RV1 MSP, size S00

3RV10 11



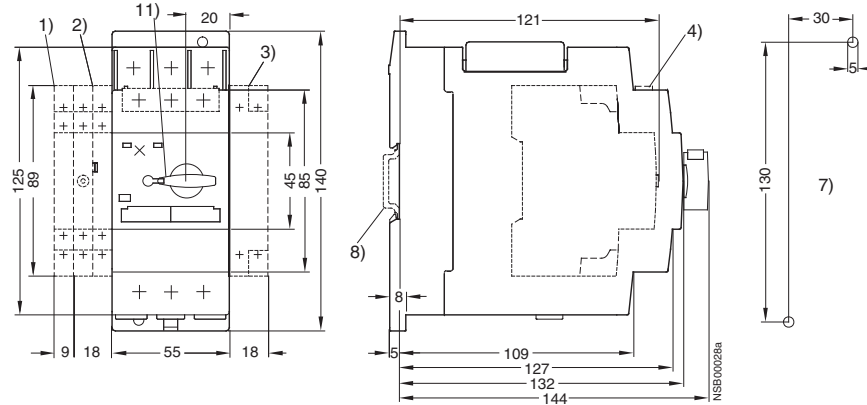
3RV1 MSP, size S0

3RV10 21



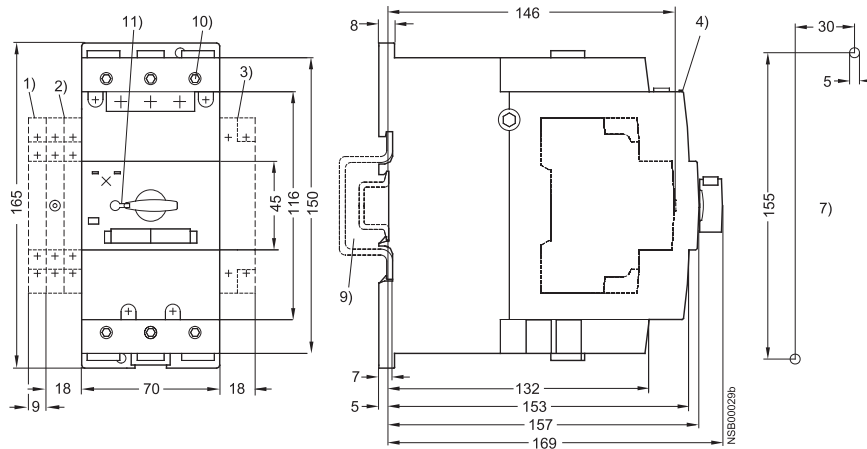
3RV1 MSP, size S2

3RV10 31



3RV1 MSP, size S3

3RV10 4



- 1) 2-pole lateral auxiliary switch
- 2) Signalling switch (S0-S3) or lateral auxiliary switch, 4-pole (S00-S3)
- 3) Auxiliary releases
- 4) Transverse auxiliary switch
- 5) Push-in lugs for screw mounting
- 6) Only for undervoltage release with leading auxiliary switch
- 7) Drilling template
- 8) 35 mm standard mounting rail acc. to EN 50 022
- 9) Mounting on 35 mm standard mounting rail, 15 mm high, acc. to EN 50 022 or on 75 mm standard mounting rail acc. to EN 50 023
- 10) 4 mm hexagon socket screw
- 11) Lockable in 0 position with shackle diameter 3.5 to 4.5 mm