

3RV1 Motor Starter Protectors

For Motor Protection

SIRIUS



3RV10 Class 10
up to 12A

Description	Ordering Information
<p>The 3RV101 MSP's, can be used as components in Group Installation per NEC 430-53(C) to turn motors on and off. Each device has built-in heater elements that provide overload protection and magnetic trip elements to protect the motor. When the 3RV101 is used as a component in Group Installation, multiple MSP's can be installed below one circuit breaker to protect its own motor. A contactor can be mounted to the MSP to provide a remotely operated starter.</p>	<ul style="list-style-type: none"> ▶ ON/OFF rocker mechanism with lockout. ▶ Adjustment dial for setting to motor FLA. ▶ Class 10 overload trip characteristics. ▶ Short circuit trip at 12 times the maximum setting of the FLA adjustment dial. ▶ Short circuit current rating: ▶ Ambient compensated up to 140° F (applies to side by side mounting). ▶ Phase loss sensitivity. ▶ Test trip function. ▶ Cage Clamp version. ▶ Auxiliaries and Accessories see pages 1/9–1/19. ▶ General Information see pages 1/31–1/34. ▶ Technical Data see pages 1/20–1/30. ▶ Dimensions see page 1/35.

Note: Select MSP by motor Full Load Amperes. Horsepower ratings are for reference only.

Illustration	FLA Adjustment Range	Single-Phase HP Ratings		Three-Phase HP Ratings ^①				Instantaneous short circuit release I_{cu} A	UL short-circuit breaking capacity @ 480 V I_{cu} kA	Screw connection		Cage clamp connection	
		115V	230V	200V	230V	460V	575V			Catalog No	List Price \$	Catalog No	List Price \$
3RV101 Frame Size S00^②													
	0.11–0.16	—	—	—	—	—	— ^④	2.1	65	3RV101-0AA10		3RV1011-0AA20	
	0.14–0.2	—	—	—	—	—	—	2.6	65	3RV1011-0BA10		3RV1011-0BA20	
	0.18–0.25	—	—	—	—	—	—	3.3	65	3RV1011-0CA10		3RV1011-0CA20	
	0.22–0.32	—	—	—	—	—	—	4.2	65	3RV1011-0DA10		3RV1011-0DA20	
	0.28–0.4	—	—	—	—	—	—	5.2	65	3RV1011-0EA10		3RV1011-0EA20	
	0.35–0.5	—	—	—	—	—	—	6.5	65	3RV1011-0FA10		3RV1011-0FA20	
	0.45–0.63	—	—	—	—	—	¼	8.2	65	3RV1011-0GA10		3RV1011-0GA20	
	0.55–0.8	—	—	—	—	¼	½	10	65	3RV1011-0HA10		3RV1011-0HA20	
	0.7–1	—	—	—	—	½	½	13	65	3RV1011-0JA10		3RV1011-0JA20	
0.9–1.25	—	—	—	¼	¾	¾	16	65	3RV1011-0KA10		3RV1011-0KA20		
	1.1–1.6	—	⅓	¼	½	¾	1	21	65	3RV1011-1AA10		3RV1011-1AA20	
	1.4–2	—	⅓	½	½	1	1½	26	65	3RV1011-1BA10		3RV1011-1BA20	
	1.8–2.5	—	⅓	½	½	1½	1½	33	65	3RV1011-1CA10		3RV1011-1CA20	
	2.2–3.2	⅓	¼	¾	¾	1½	2	42	65	3RV1011-1DA10		3RV1011-1DA20	
	2.8–4	⅓	½	¾	1	2	3	52	65	3RV1011-1EA10		3RV1011-1EA20	
	3.5–5	⅓	½	1	1	3	3	65	65	3RV1011-1FA10		3RV1011-1FA20	
	4.5–6.3	¼	¾	1½	1½	5	5	82	65	3RV1011-1GA10		3RV1011-1GA20	
	5.5–8	½	1	2	2	5	5	104	65	3RV1011-1HA10		3RV1011-1HA20	
	7–10	½	1½	3	3	7½	10 ^②	130	65	3RV1011-1JA10		3RV1011-1JA20	
	9–12	½	2	3	3	7½	10	156	65	3RV1011-1KA10		3RV1011-1KA20	
Accessories													
Transverse auxiliary switch ^③ 1 NO + 1 NC separately								Approx. weight .02 kg		3RV19 01-1E		3RV19 01-2E	

① Select MSP by motor full load amps. Horse power ratings for reference only.

② Size S00 MSP are listed for group installation only.

③ For additional auxiliary switches refer to Accessories, Page 1/8 (screw connection) and Page 1/15 (Cage Clamp connection).

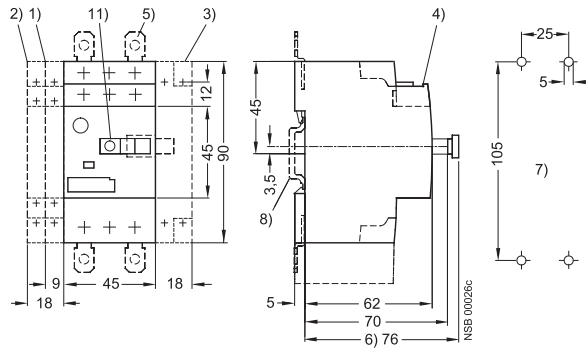
④ Shaded ratings apply for group installation only. These ratings do not apply as UL listed manual combination starters.



Dimension drawings

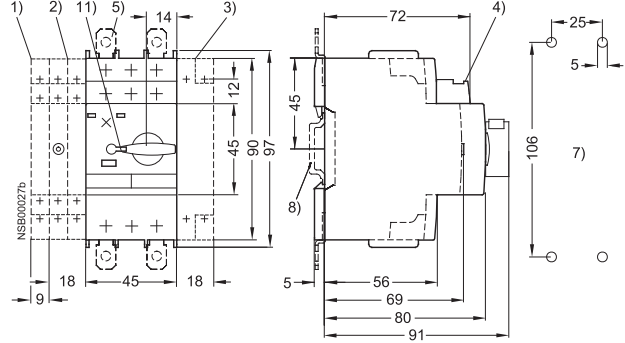
3RV1 MSP, size S00

3RV10 11



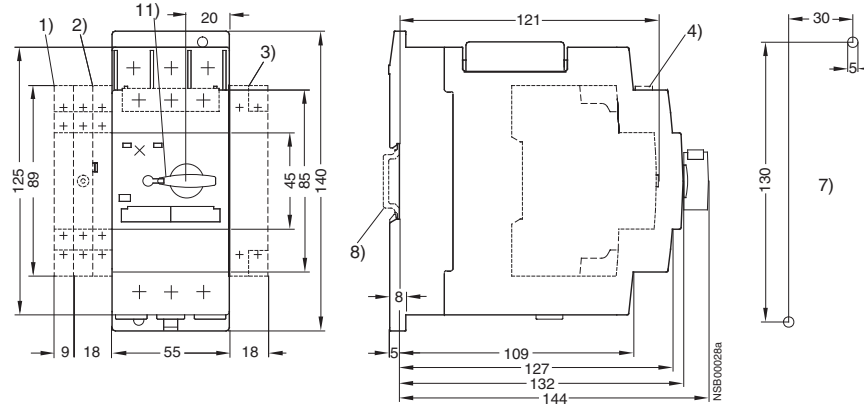
3RV1 MSP, size S0

3RV10 21



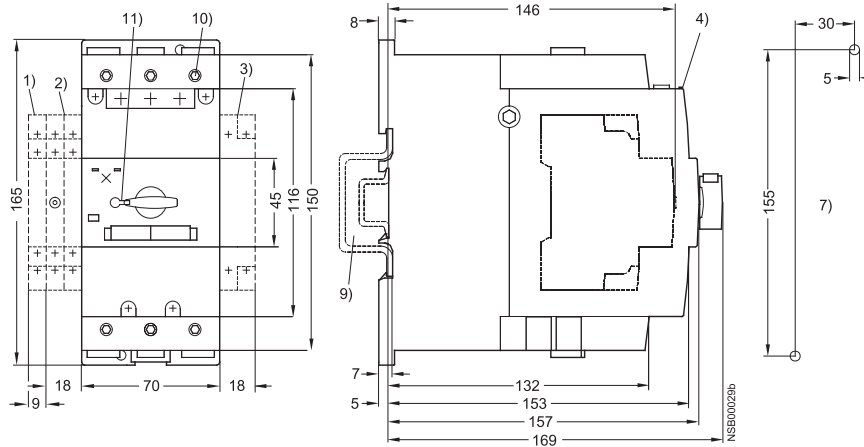
3RV1 MSP, size S2

3RV10 31



3RV1 MSP, size S3

3RV10 4



- 1) 2-pole lateral auxiliary switch
- 2) Signalling switch (S0-S3) or lateral auxiliary switch, 4-pole (S00-S3)
- 3) Auxiliary releases
- 4) Transverse auxiliary switch
- 5) Push-in lugs for screw mounting
- 6) Only for undervoltage release with leading auxiliary switch
- 7) Drilling template
- 8) 35 mm standard mounting rail acc. to EN 50 022
- 9) Mounting on 35 mm standard mounting rail, 15 mm high, acc. to EN 50 022 or on 75 mm standard mounting rail acc. to EN 50 023
- 10) 4 mm hexagon socket screw
- 11) Lockable in 0 position with shackle diameter 3.5 to 4.5 mm