







Selection and ordering data

3RU11 thermal overload relays with screw-type terminals for mounting onto contactor¹⁾, CLASS 10

Features and technical characteristics

- Auxiliary contacts: 1 NO + 1 NC
- Manual/automatic RESET
- Switching position indication
- TEST function
- STOP button
- Phase failure sensitivity
- Integrated, sealable cover
- CLASS 10

For 3RT1 contactor	Setting range	for mounting onto contactor ¹⁾		Weight approx		
		Order No.	List Price \$			
Size	A			kg		
Size S00						
3RU11 16...B0 	S00 (3RT101)	0.11 – 0.16	3RU11 16-0AB0	0.15		
		0.14 – 0.2	3RU11 16-0BB0			
		0.18 – 0.25	3RU11 16-0CB0			
		0.22 – 0.32	3RU11 16-0DB0			
			0.28 – 0.4	3RU11 16-0EB0	0.15	
			0.35 – 0.5	3RU11 16-0FB0		
			0.45 – 0.63	3RU11 16-0GB0		
			0.55 – 0.8	3RU11 16-0HB0		
			0.7 – 1	3RU11 16-0JB0	0.15	
			0.9 – 1.25	3RU11 16-0KB0		
1.1 – 1.6			3RU11 16-1AB0			
1.4 – 2			3RU11 16-1BB0			
		1.8 – 2.5	3RU11 16-1CB0	0.15		
		2.2 – 3.2	3RU11 16-1DB0			
		2.8 – 4	3RU11 16-1EB0			
		3.5 – 5	3RU11 16-1FB0			
		4.5 – 6.3	3RU11 16-1GB0	0.15		
		5.5 – 8	3RU11 16-1HB0			
		7 – 10	3RU11 16-1JB0			
		9 – 12	3RU11 16-1KB0			
Size S0						
3RU11 26...B0 	S0 (3RT102)	1.8 – 2.5	3RU11 26-1CB0	0.19		
		2.2 – 3.2	3RU11 26-1DB0			
		2.8 – 4	3RU11 26-1EB0			
		3.5 – 5	3RU11 26-1FB0			
			4.5 – 6.3	3RU11 26-1GB0	0.19	
			5.5 – 8	3RU11 26-1HB0		
			7 – 10	3RU11 26-1JB0		
			9 – 12.5	3RU11 26-1KB0		
			11 – 16	3RU11 26-4AB0	0.19	
			14 – 20	3RU11 26-4BB0		
17 – 22			3RU11 26-4CB0			
20 – 25			3RU11 26-4DB0			
Size S2						
3RU11 36...B0 	S2 (3RT103)	5.5 – 8	3RU11 36-1HB0	0.32		
		7 – 10	3RU11 36-1JB0			
		9 – 12.5	3RU11 36-1KB0			
			11 – 16	3RU11 36-4AB0	0.32	
			14 – 20	3RU11 36-4BB0		
			18 – 25	3RU11 36-4DB0		
			22 – 32	3RU11 36-4EB0		
			28 – 40	3RU11 36-4FB0	0.32	
			36 – 45	3RU11 36-4GB0		
			40 – 50	3RU11 36-4HB0		
Size S3						
3RU11 46...B0 	S3 (3RT104)	18 – 25	3RU11 46-4DB0	0.55		
		22 – 32	3RU11 46-4EB0			
			28 – 40	3RU11 46-4FB0	0.55	
			36 – 50	3RU11 46-4HB0		
			45 – 63	3RU11 46-4JB0		
			57 – 75	3RU11 46-4KB0		
		70 – 90	3RU11 46-4LB0	0.55		
		80 – 100 ²⁾	3RU11 46-4MB0			

1) The 3RU11 overload relays can also be panel mounted using the appropriate adapters (see Accessories).

2) Overload relay > 100 A, see 3RB2.

For accessories, see page 3/11.

For description, see page 3/8.

For technical data, see pages 3/12-3/15.

For circuit diagrams, see page 3/16.

For dimension drawings, see page 3/17.



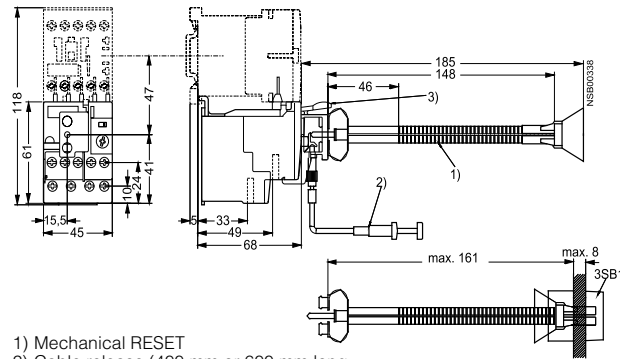
Dimension drawings

Screw connection

Lateral clearance to grounded components: at least 6 mm.

3RU11 16-.B0

Size S00 with accessories

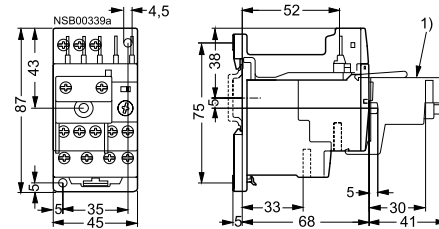


- 1) Mechanical RESET
- 2) Cable release (400 mm or 600 mm long, mounting on the front or laterally on the holder)
- 3) Holder for RESET

3RU11 16-.B.

Size S00

with adapter for installation as a single unit with accessories

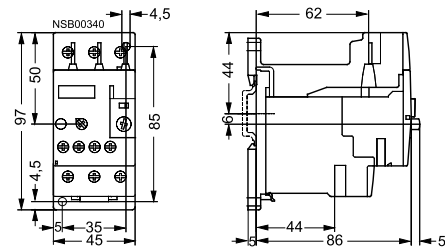


- 1) Module for remote RESET

3RU11 26-.B.

Size S0

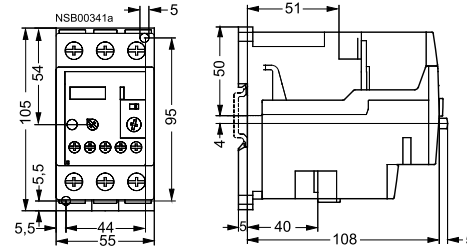
with adapter for installation as a single unit



3RU11 36-.B.

Size S2

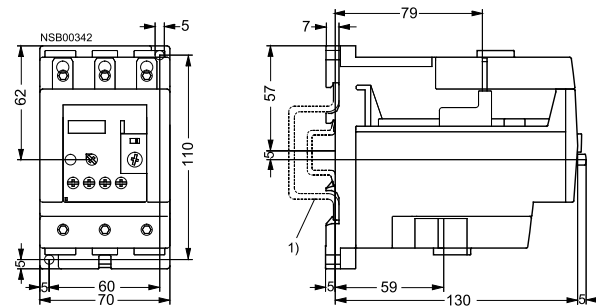
with adapter for installation as a single unit



3RU11 46-.B.

Size S3

with adapter for installation as a single unit



- 1) For mounting on 35 mm standard mounting rail (15 mm deep) acc. to EN 50 022 or 75 mm standard mounting rail acc. to EN 50023

Dimension drawings "Contactor with built-on overload relay" see contactors and contactor combinations.