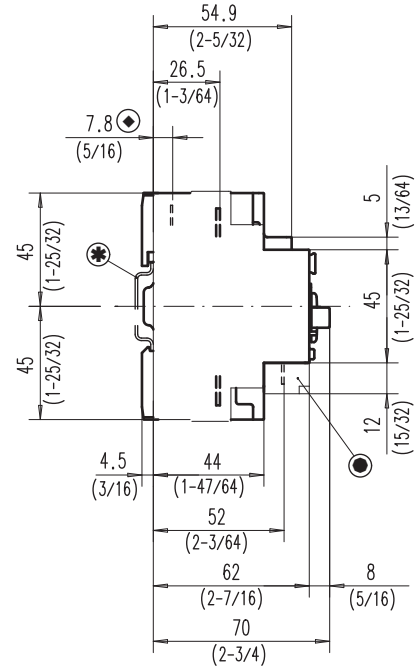
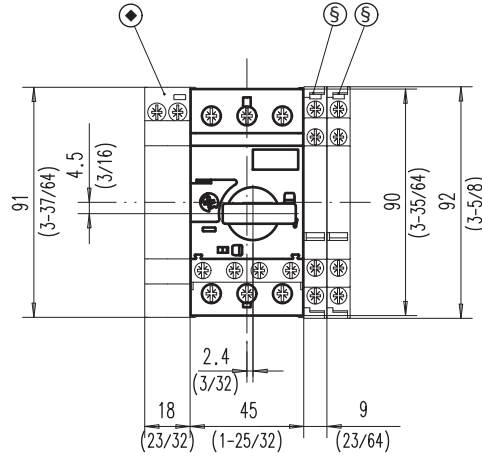
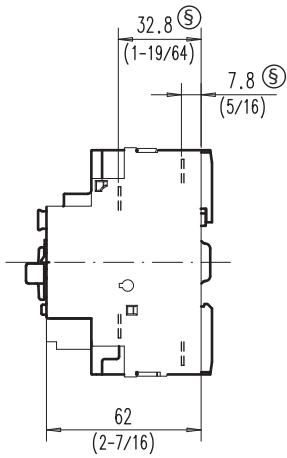


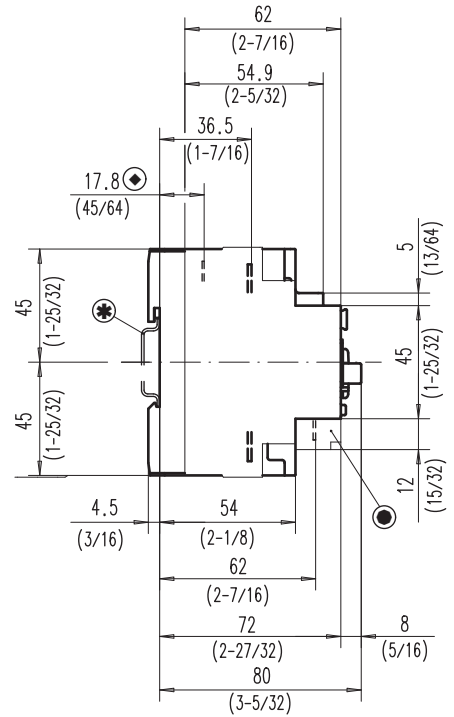
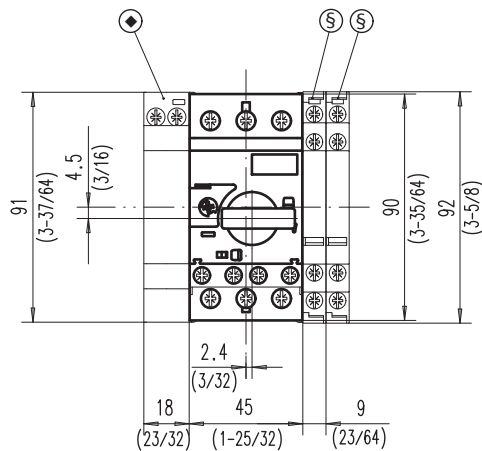
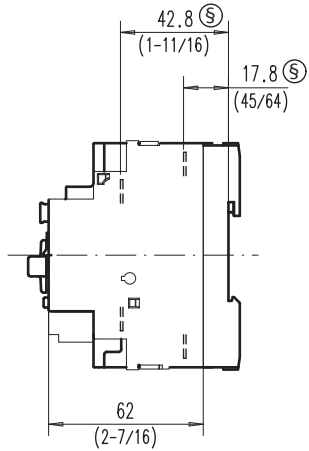
Cat. No. 140M-C, -D, -F

Dimensions are shown in millimeters (inches). Dimensions are not intended to be used for manufacturing purposes.

Cat. No. 140M-C2...



Cat. No. 140M-D8...



- * Mounting on 35 mm DIN Rail
- ◆ Undervoltage/shunt trip
- Auxiliary contact (front mounted)
- § Auxiliary contact (side mounted)