

Single Phase Switches ①

No. of Poles	Standard Faceplate (for other options, note faceplate code and frame size of desired switch and turn to page M41.)	Contact Sequence	Rated for Applications	Built-in Auxiliary Contacts		Single Phase Max. Motor Rating [HP]			Current Rating UL/CSA	Handle						
				NO	NC	@115V	@200V	@230V								
ON-OFF Switches																
1			Motor Disconnect Switch On-Off Switch Emergency-Stop ②	0	0	¾	2	2	16	Black / Silver Padlockable - Red / Yellow						
						1½	3	3	25	Black / Silver Padlockable - Red / Yellow						
						3	7½	10	65	Black / Silver Padlockable - Red / Yellow						
2	Black / Silver handles: FS 908		Motor Disconnect Switch On-Off Switch Emergency-Stop ②	0	0	¾	2	2	16	Black / Silver Padlockable - Red / Yellow						
						1½	3	3	25	Black / Silver Padlockable - Red / Yellow						
						3	7½	10	65	Black / Silver Padlockable - Red / Yellow						
3	Padlockable handles are not supplied with faceplate. Padlockable handles are marked: I ON O OFF		On-Off Switch Emergency-Stop ②	0	0	¾	2	2	16	Black / Silver Padlockable - Red / Yellow						
			These switches can also be used in three phase applications. See page M16 for ratings.													
			Motor Disconnect Switch On-Off Switch Emergency-Stop ②							0	0	1½	3	3	20	Black / Silver Padlockable - Red / Yellow
			These switches can also be used in three phase applications. See page M16 for ratings.									2	3	5	30	Black / Silver Padlockable - Red / Yellow
3	7½	10	60	Black / Silver Padlockable - Red / Yellow												
5	10	15	100	Black / Silver Padlockable - Red / Yellow												

Custom switch configurations available - see page M59 for details.

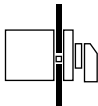
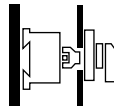
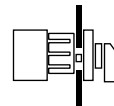
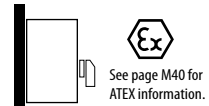
- ① Non-enclosed switches are supplied with European terminal markings (1, 3, 5, etc.). For North American terminal markings (L1, L2, L3, etc.), add suffix -NA to catalog number and add \$25 to price. Enclosed switches have North American terminal markings as standard.
- ② Choose Red / Yellow or Padlockable - Red / Yellow handle for Emergency-stop applications.

Ordering Instructions


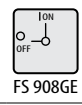




- 1 Locate the desired rotary switch.
- 2 Order accessories separately on pages M36 – M40.

Standard Handle Types

Black / Silver	Padlockable - Red / Yellow
Black handle Silver faceplate NEMA 1	Red/Yellow handle, NEMA 3R Padlockable in OFF position Suitable for emergency-stop applications

Flush Mounting		Base Mounting		Center Hole (22.5 / 30 mm) Mounting		Enclosed NEMA 12, 3R (IP65) Insulated Plastic	
							
Catalog Number	Price	Catalog Number	Price	Catalog Number	Price	Catalog Number	Price
ON-OFF Switches							
T0-1-8200/E		T0-1-8200/Z		T0-1-8200/EZ		T0-1-8200/I2-NA	
T0-1-8200/EA/SVB		T0-1-8200/V/SVB		–		T0-1-8200/I2/SVB-NA	
T3-1-8200/E		T3-1-8200/Z		T3-1-8200/EZ		T3-1-8200/I2-NA	
T3-1-8200/EA/SVB		T3-1-8200/V/SVB		–		T3-1-8200/I2/SVB-NA	
T5B-1-8200/E		T5B-1-8200/Z		–		T5B-1-8200/I4-NA	
T5B-1-8200/EA/SVB		T5B-1-8200/V/SVB		–		T5B-1-8200/I4/SVB-NA	
T0-1-102/E		T0-1-102/Z		T0-1-102/EZ		T0-1-102/I2-NA	
T0-1-102/EA/SVB		T0-1-102/V/SVB		–		T0-1-102/I2/SVB-NA	
T3-1-102/E		T3-1-102/Z		T3-1-102/EZ		T3-1-102/I2-NA	
T3-1-102/EA/SVB		T3-1-102/V/SVB		–		T3-1-102/I2/SVB-NA	
T5B-1-102/E		T5B-1-102/Z		–		T5B-1-102/I4-NA	
T5B-1-102/EA/SVB		T5B-1-102/V/SVB		–		T5B-1-102/I4/SVB-NA	
T0-2-1/E		T0-2-1/Z		T0-2-1/EZ		T0-2-1/I2-NA	
T0-2-1/EA/SVB		T0-2-1/V/SVB		–		T0-2-1/I2/SVB-NA	
P1-25/E		P1-25/Z		P1-25/EZ		P1-25/I2-NA	
P1-25/EA/SVB		P1-25/V/SVB		–		P1-25/I2/SVB-NA	
P1-32/E		P1-32/Z		P1-32/EZ		P1-32/I2-NA	
P1-32/EA/SVB		P1-32/V/SVB		–		P1-32/I2/SVB-NA	
P3-63/E		P3-63/Z		–		P3-63/I4-NA	
P3-63/EA/SVB		P3-63/V/SVB		–		P3-63/I4/SVB-NA	
P3-100/E		P3-100/Z		–		P3-100/I5-NA	
P3-100/EA/SVB		P3-100/V/SVB		–		P3-100/I5/SVB-NA	

Optional Handles - Order Separately (see page M36 for details and other options)

For Switch Frames	Options for Black / Silver handles										Options for Padlockable - Red / Yellow handles	
	Red Handle / Yellow Faceplate				Cylinder Lock: Key operated Silver faceplate		Cylinder Lock: Black handle Silver faceplate		Padlock Mechanism: Black handle Silver faceplate		Padlockable Black Handle	
												
	Handle	Faceplate	Not UL/CSA approved		Not UL/CSA approved		Not UL/CSA approved		NEMA 3R			
Catalog No.	Price	Catalog No.	Price	Catalog No.	Price	Catalog No.	Price	Catalog No.	Price	Catalog No.	Price	
T0, T3, P1	KNB-RT-T0		FS908GE-T0		S-T0		SVA-T3		SVC-T3		SVB-SW-T0	
T5B, P3	KNB-RT-P3		FS908GE-P3		–		–		–		SVB-SW-P3	

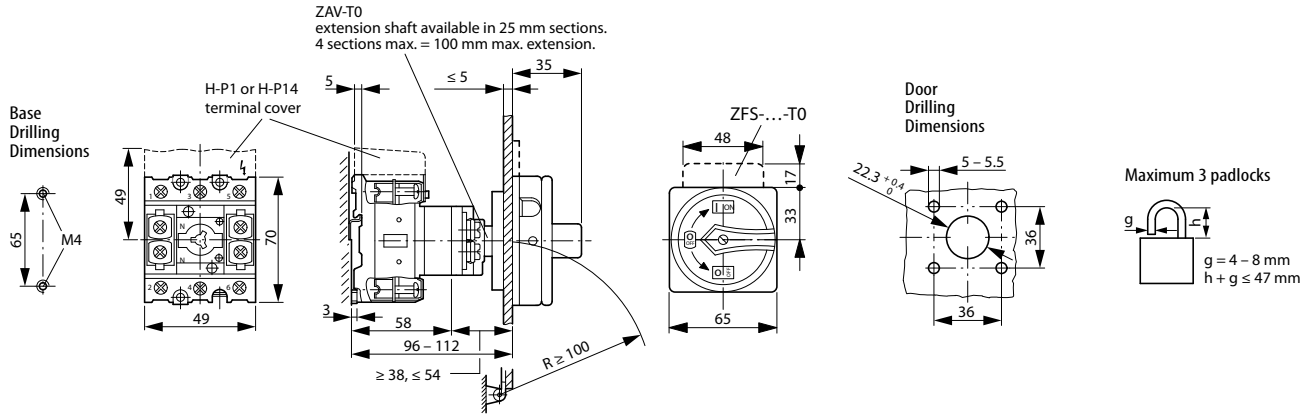
P1... Rotary Switches
Base Mounting (continued)

Padlockable size handle

P1.../V/SVB-SW

P1.../V/SVB

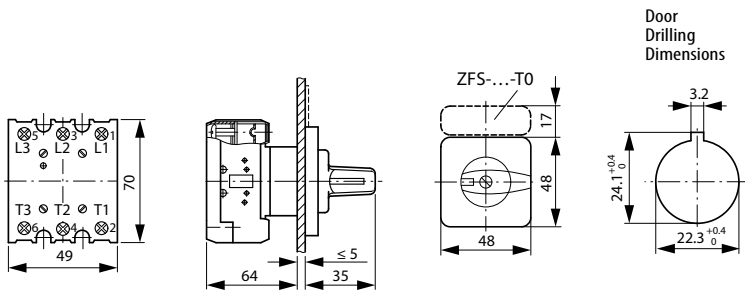
Dimensions are in millimeters.
 Not intended for manufacturing purposes.



P1... Rotary Switches
Center Hole Mounting

Standard size handle

P1.../EZ

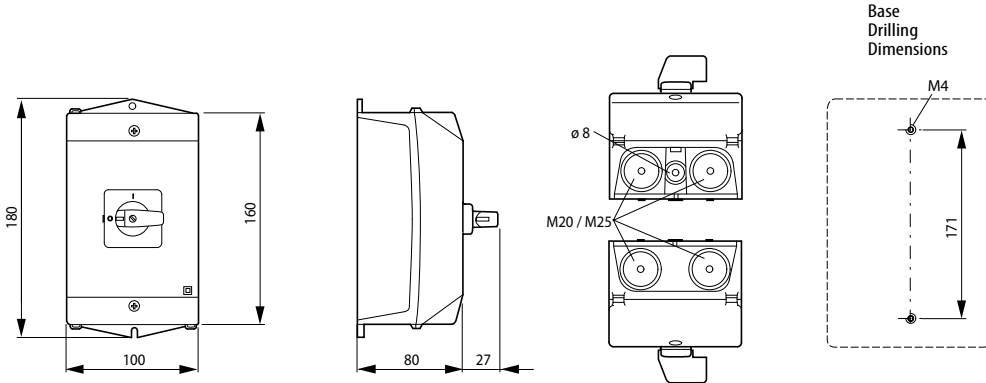


**P1-... Rotary Switches
Enclosed**

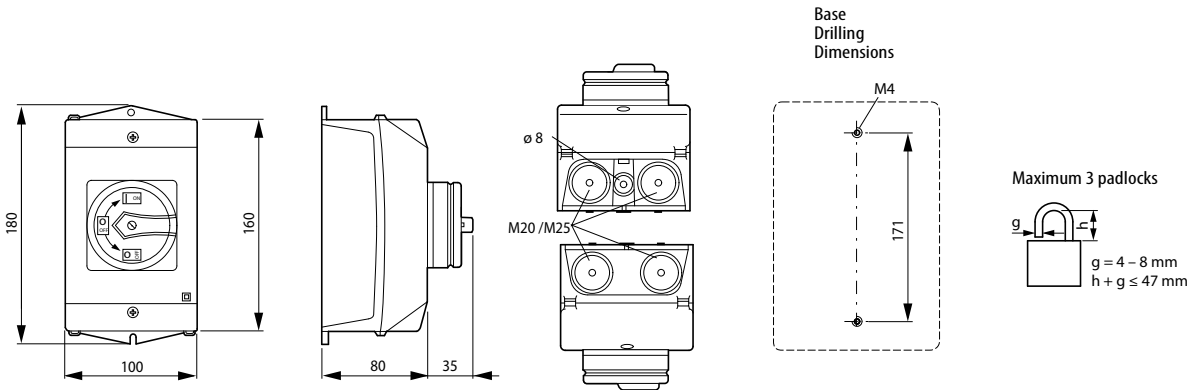
Standard size handle
P1-.../I2

Dimensions are in millimeters.
Not intended for manufacturing purposes.

M
Rotary Switches



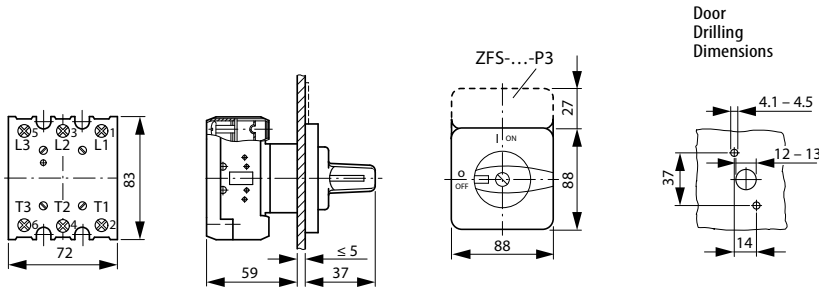
Padlockable size handle
P1-.../I2/SVB-SW
P1-.../I2/SVB



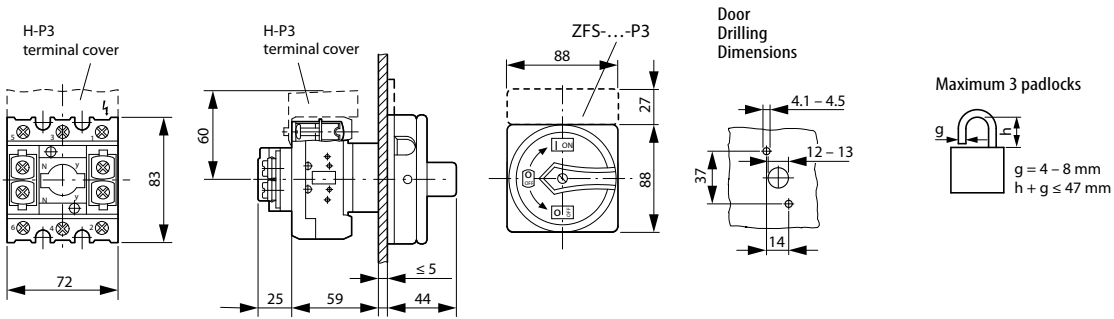
**P3-... Rotary Switches
Flush Mounting**

Dimensions are in millimeters.
Not intended for manufacturing purposes.

Standard size handle
P3-.../E



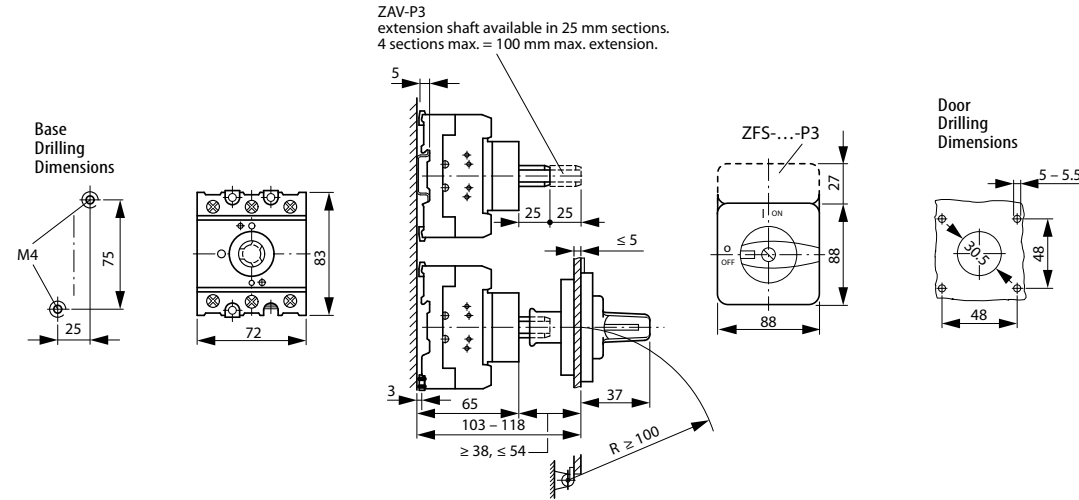
Padlockable size handle
P3-.../EA/SVB-SW
P3-.../EA/SVB



Dimensions are in millimeters.
Not intended for manufacturing purposes.

P3... Rotary Switches Base Mounting

Standard size handle
P3.../Z



Padlockable size handle
P3.../SVB-SW
P3.../SVB

