

## Magnet Coil Suffix

Coil Voltage	Suffix Code	Coil Voltage	Suffix Code	Coil Voltage	Suffix Code	Coil Voltage	Suffix Code
110V 50 Hz, 120V 60 Hz	<b>A</b>	415V 50 Hz, 480V 60 Hz	<b>C</b>	400V 50 Hz	<b>N</b>	120 Vdc	<b>AD</b>
220V 50 Hz, 240V 60 Hz	<b>B</b>	550V 50 Hz, 600V 60 Hz	<b>D</b>	380V 60 Hz	<b>P</b>	220 Vdc	<b>BD</b>
230V 50 Hz	<b>F</b>	208V 60 Hz	<b>E</b>	12V 50/60 Hz	<b>R</b>	12 Vdc	<b>RD</b>
24V 50/60 Hz	<b>T</b>	190V 50 Hz, 220V 60 Hz	<b>G</b>	24V 50 Hz	<b>U</b>	48 Vdc	<b>WD</b>
24 Vdc	<b>TD</b> ①	240V 50 Hz, 277V 60 Hz	<b>H</b>	42V 50 Hz, 48V 60 Hz	<b>W</b>	—	—
—	—	380V 50 Hz, 440V 60 Hz	<b>L</b>	48V 50 Hz	<b>Y</b>	—	—

## Mini Overload Relays

## XTOM\_ Mini Overload Relays ②③



Overload Release I <sub>n</sub>	Trip Class	Contact Sequence	Contact Configuration	Short-Circuit Protection (A)		Circuit Breaker	CEC/NEC Fuse	Catalog Number
				Type 1 Coordination, gG/gL	Type 2 Coordination, gG/gL			
0.1–0.16A	10A	97 95	1NO-1NC	20	0.5	15	—	<b>XTOMP16AC1</b>
0.16–0.24A	10A		1NO-1NC	20	1	15	—	<b>XTOMP24AC1</b>
0.24–0.4A	10A		1NO-1NC	20	2	15	—	<b>XTOMP40AC1</b>
0.4–0.6A	10A		1NO-1NC	20	2	15	—	<b>XTOMP60AC1</b>
0.6–1A	10A		1NO-1NC	20	4	15	3	<b>XTOM001AC1</b>
1–1.6A	10A		1NO-1NC	20	6	15	6	<b>XTOM1P6AC1</b>
1.6–2.4A	10A		1NO-1NC	20	6	15	6	<b>XTOM2P4AC1</b>
2.4–4A	10A		1NO-1NC	20	—	15	15	<b>XTOM004AC1</b>
4–6A	10A		1NO-1NC	20	—	15	20	<b>XTOM006AC1</b>
6–9A	10A		1NO-1NC	20	—	15	35	<b>XTOM009AC1</b>
9–12A	10A		1NO-1NC	—	—	—	45	<b>XTOM012AC1</b>

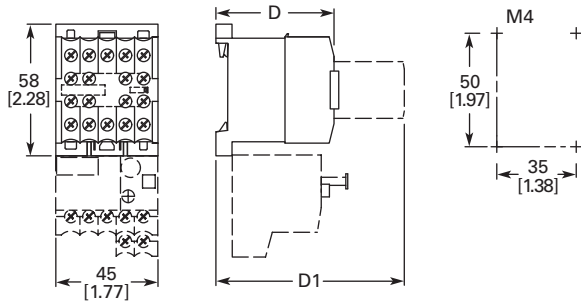
## Notes

- ① With DC operation: Integrated diode resistor combination, coil rating 2.6W.  
 ② Short-circuit protection: Observe the maximum permissible fuse of the contactor with direct device mounting. See MN03402002E for more information.  
 ③ When fitted directly to the contactor, a clearance of at least 5 mm is required between the overload relays.

### Dimensions

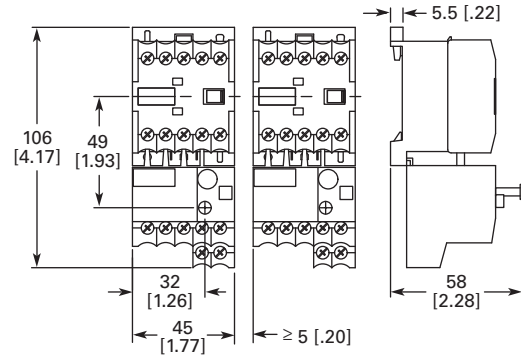
Approximate Dimensions in mm [in.]

#### Non-Reversing Mini Contactor

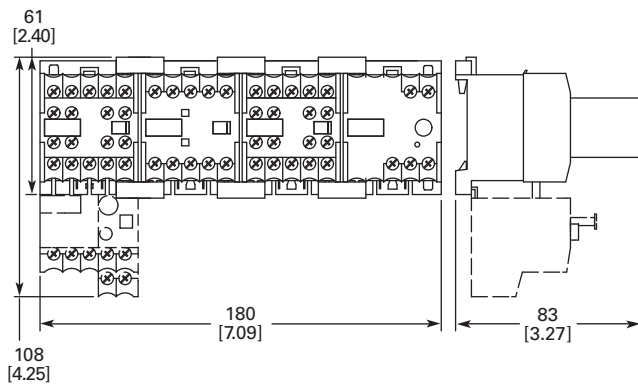


	XTMC	XTMCC
D	52 [2.05]	54 [2.13]
D1	83 [3.27]	86 [3.39]

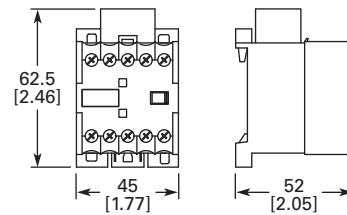
#### Non-Reversing Mini Contactor with Overload Relay



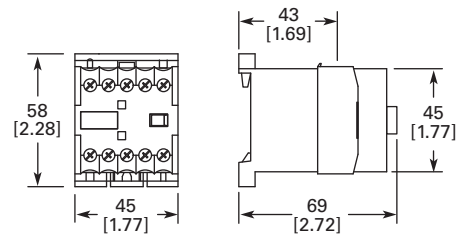
#### Star-Delta Starter Combinations



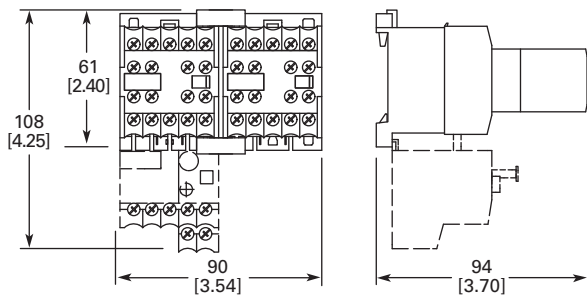
#### XTMCXRSA, XTMCXVSA Mini Suppressors



#### XTMCXTSA Mini Sealable Shroud



#### Reversing Mini Contactor



#### XTMCXML Mechanical Interlock

